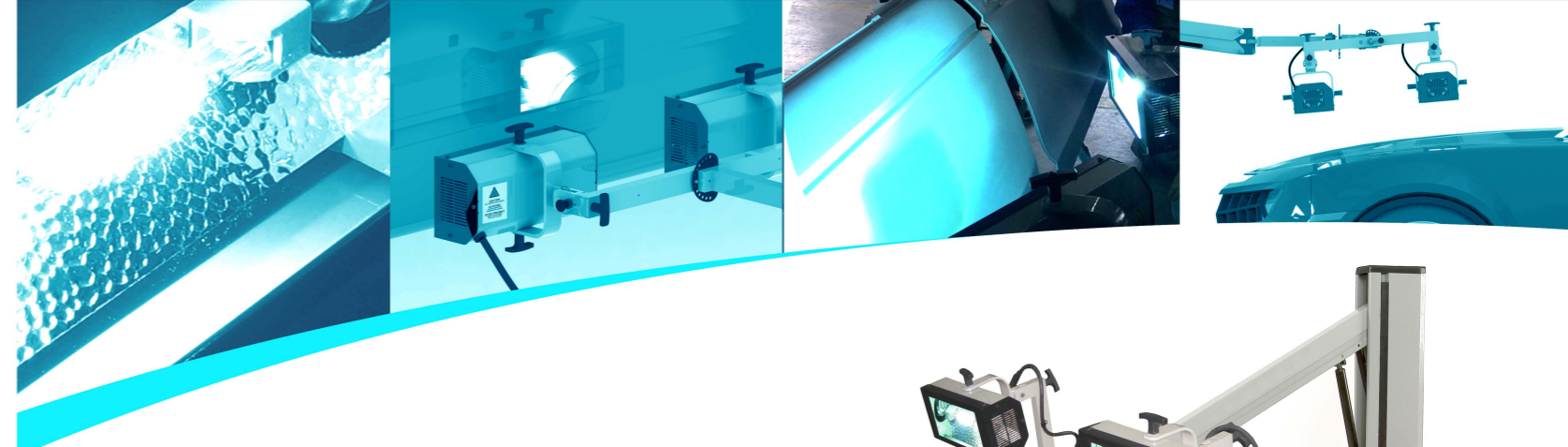


Spectratek's UV systems are designed to suit a wide range of applications.

Technical data	2400400UV Ref: 28.SPT400UV	2400800UV Ref: 28.SPT800UV	3400800UV Ref: 28.SPT802UV	34001600UV Ref: 28.SPT1600UV
Supply voltage (V):	230VAC, Single phase			
Amperage (A):	3.4A	6.8A	6.8A	13.6A
Power consumption (W):	400W	800W		400W
Light bulb wattage (W):	400W			
Lamp dimensions:	58" x 24" x 22" (1465x 619x 561mm)	58" x 19" x 35" (1465x 475x 884mm)	61" x 62" x 38" (1550x 1573x 953mm)	68" x 62" x 38" (1727x 1573x 953mm)
Curing zone dimensions:	16" x 24" (400x 600mm)	32" x 24" (800x 600mm)		32" x 48" (800x 1200mm)
Rating:	IP30 (the enclosure provides a protection against access to hazardous parts)			

# spectratek™ UV

UV CURING LAMPS FOR AUTOMOTIVE PAINTS



### Solid Backing by Experts in the Industry

AMH Canada Ltd built the Spectratek™ products since many years and has a strong experience in the automotive paint field and a high level of technical expertise in the curing systems, as it applies to the automotive industry.

AMH Canada Ltd. has satisfied the market with competitive prices, optimal quality and high performance technology able to meet international standards.

#### Other Spectratek products:

- Spectratek™ Infrared curing lamps
- Track System Spectratek™
- Spectra-Jet Air diffuser

Contact Spectratek™ today.



AMH Canada Ltée/Ltd  
391, rue St-Jean-Baptiste Est  
Rimouski (Québec) Canada G5L 1Z2

Email: sales.amh@amh.ca  
Website: www.amh.ca

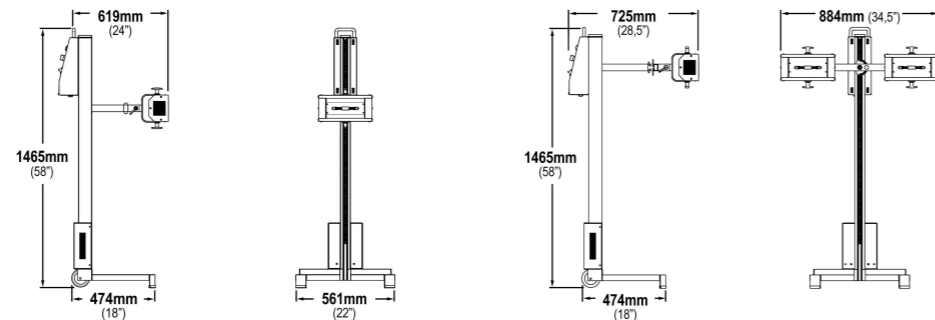
CANADA and other countries:  
Tel: (418) 724-4105 Fax: (418) 722-6108

USA:  
Tel: (910) 371-9313 Fax: (910) 371-9417

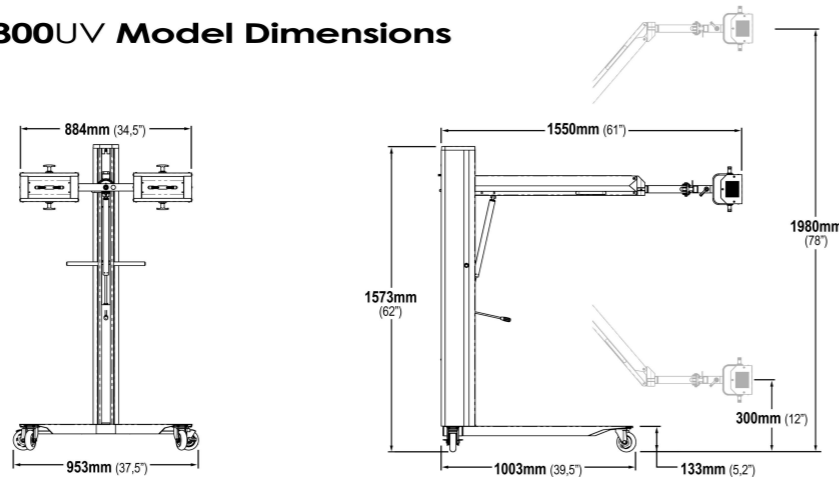
EUROPE:  
Tel: ++33 616 995 408

ASIA:  
Tel: +86 10 88 86 40 98

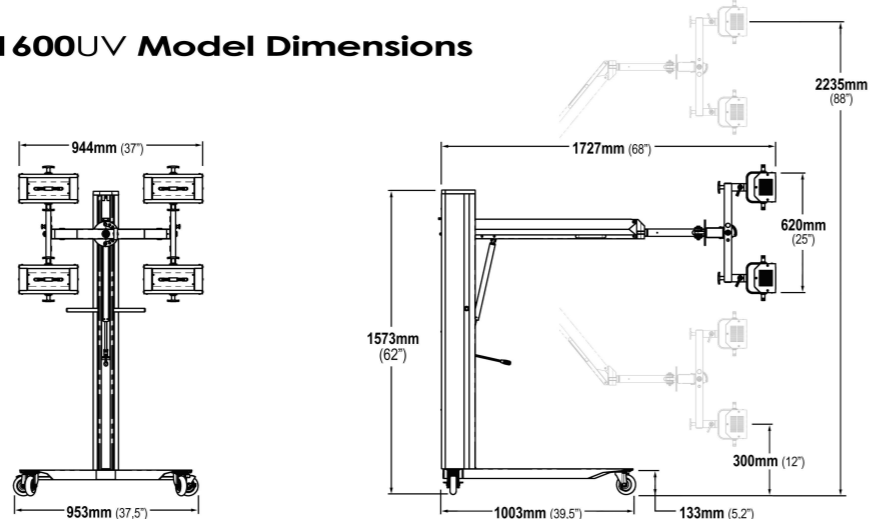
### 2400400UV & 2400800UV Model Dimensions



### 3400800UV Model Dimensions



### 34001600UV Model Dimensions



Designed in cooperation with international paint manufacturer.

Almost instant full cure with no heat.  
Ready to sand, buff, and deliver in under 3 minutes.  
Filters out all harmful UVB & UVC.



spectratek™ 2400400UV  
spectratek™ 2400800UV  
spectratek™ 3400800UV  
spectratek™ 34001600UV

# ....When Ultraviolet Gives Benefits

for quality, productivity and profits

Spectratek UV lamps meet or exceed the highest international standards for performance and safety. They are designed and built in North America for use worldwide on all current ultraviolet light curable fillers, base coats (primers), top coats, and clear coatings on metal (including aluminium), wood, glass, plastic, concrete and composites.

AMH Canada Ltd invests in extensive research and testing in conjunction with paint manufacturers to insure continued development of the highest quality products to meet industry needs today and in the future.

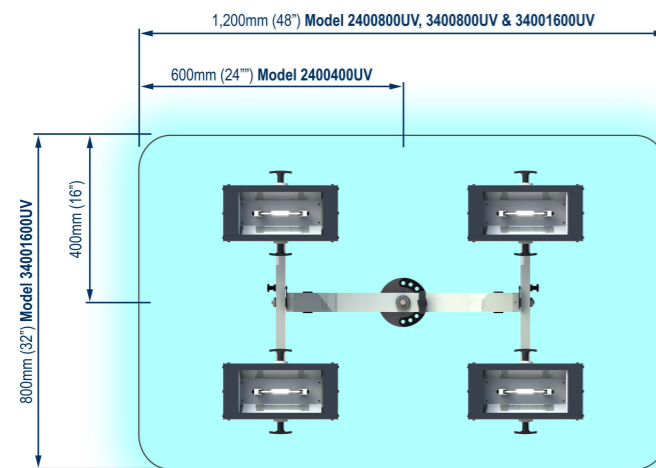
All Spectratek products are supported by fully qualified service and distribution facilities. Service can be conducted on site to minimize down time and costs.

## Benefits & Advantages

- Provide uniform curing over the widest areas.
- Faster than other conventional curing methods.
- Generate no heat on the work surface.
- Utilize less energy.
- Provide opportunities to reduce production costs.

## Efficient lamp units

Lamp arrays with unique reflectors are all positioned for uniform radiation over the largest possible curing area. In addition, individual lamp heads may be angled to more closely match the contour of the work piece.



Large 9,600 cm<sup>2</sup> (1,536 in<sup>2</sup>) Curing zone

## Design Features

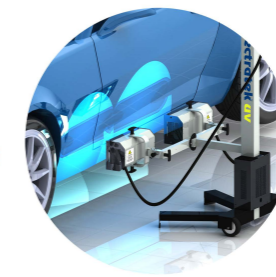
- Lightweight, maneuverable lamp stands.
- Rugged, durable construction.
- Adjustable lamp arrays.
- Cooling fans in each head to extend bulb life.
- Special UVB & UVC filtering tempered safety glass.
- Locking rear casters (models 3400800UV & 34001600UV).

## Easy control

- An easy control with individual ON/OFF switches and mechanical timer.
- Automatically turns OFF when the cure cycle is completed.
- Digital control also available.

## Effortless adjustment

Locking gas cylinders on models 3400800UV and 34001600UV allow easy adjustment of the lamp array height.



**SPECTRATEK 34001600UV**  
Quadruple head UV curing lamp  
Ref: 28.SPT1600UV



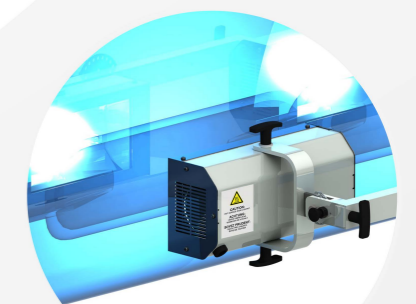
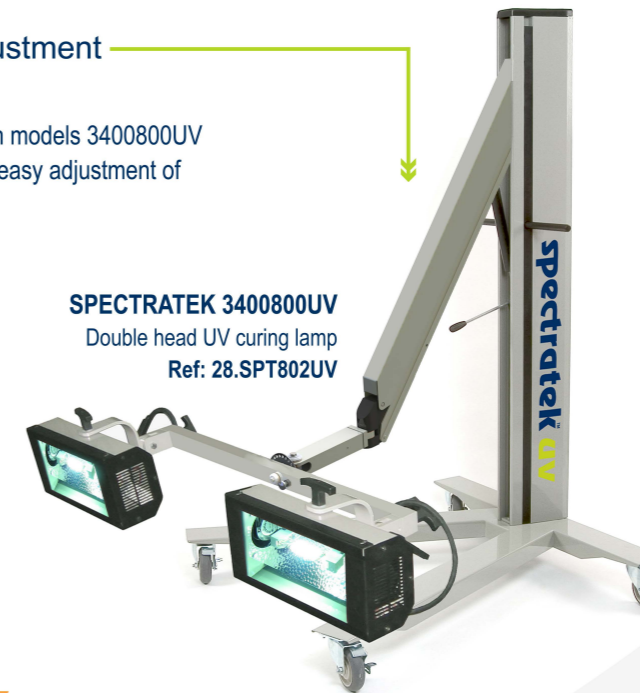
**SPECTRATEK 2400400UV**  
Single head UV curing lamp  
Ref: 28.SPT400UV



**SPECTRATEK 2400800UV**  
Double head UV curing lamp  
Ref: 28.SPT800UV



**SPECTRATEK 3400800UV**  
Double head UV curing lamp  
Ref: 28.SPT802UV



## What is UV?

Ultraviolet (UV) light is an electromagnetic radiation with a wavelength from 100nm to 400nm, shorter than visible light but longer than X-rays. Though usually invisible, under some conditions children and young adults can see ultraviolet down to wavelengths of about 310nm.

UV radiation is present in sunlight, and produced by electric arcs and specialized light such as mercury-vapor lamps, tanning lamps, and black lights. Although lacking the energy to ionize atoms, long-wavelength ultraviolet radiation can cause chemical reactions, and cause many substances to glow or fluoresce. Consequently, biological effects of UV are greater than simple heating effects, and many practical applications of UV radiation derive from its interactions with organic molecules.